

DSA 14 SERIES

WALL/CEILING

NOTES:
DIFFRACTION SLOT ABSORBER
CUSTOM SIZES AVAILABLE UPON REQUEST
ALL MATERIALS ARE CLASS "A" FIRE RATED
MANUFACTURER RECOMMENDED INSTALLATION INSTRUCTIONS AVAILABLE

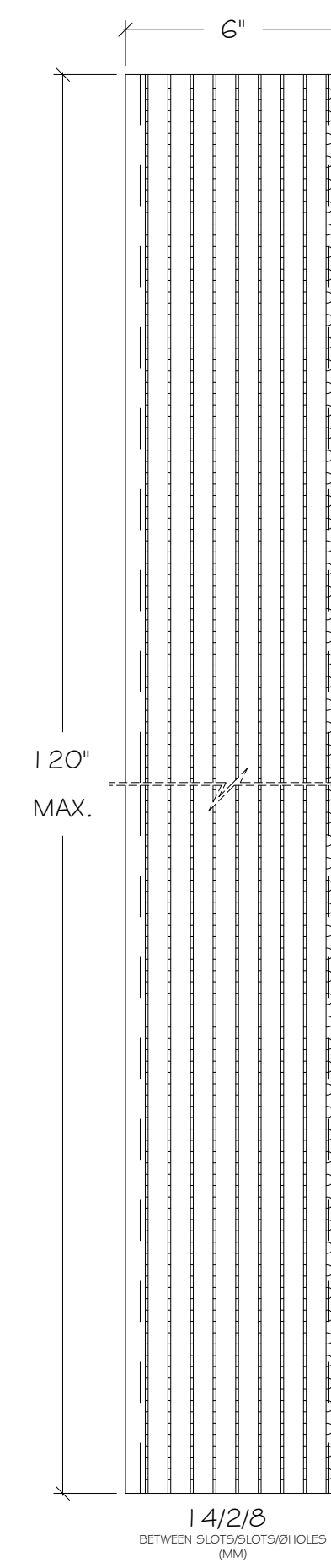
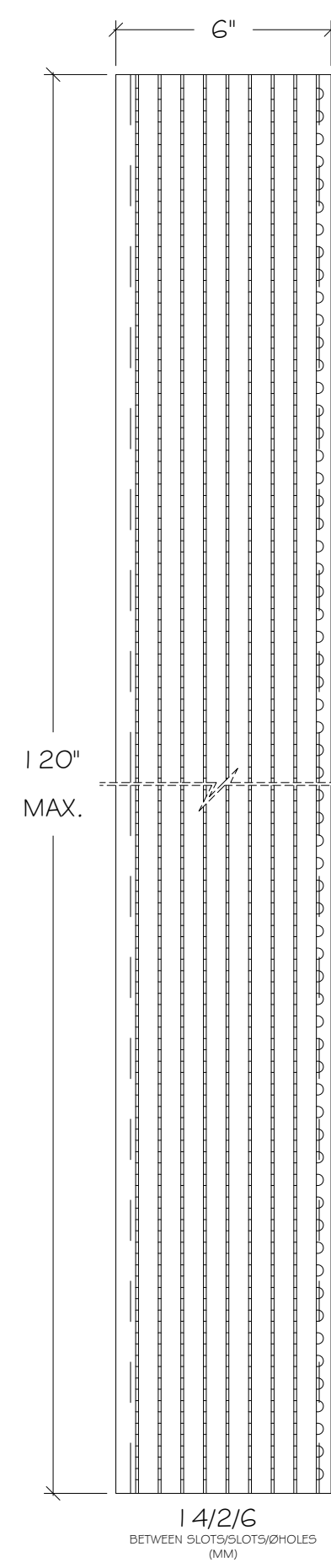
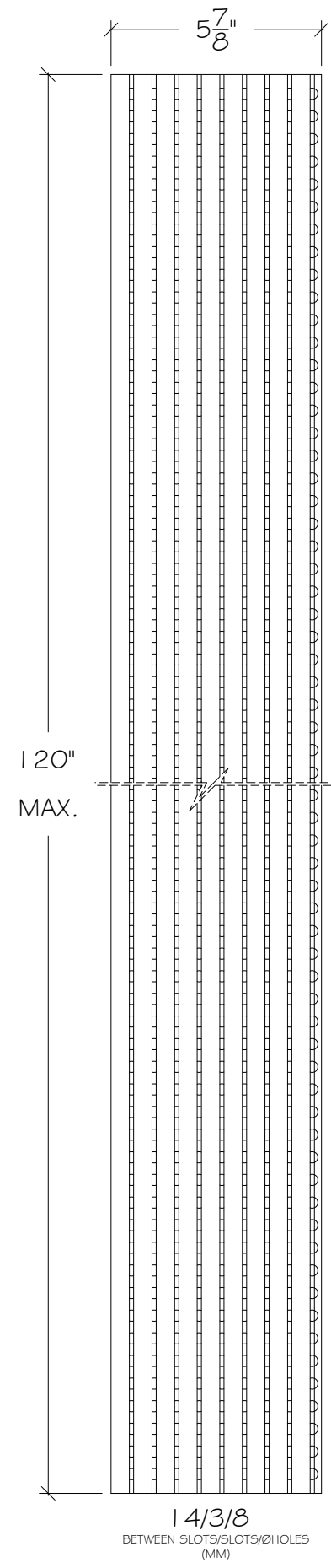
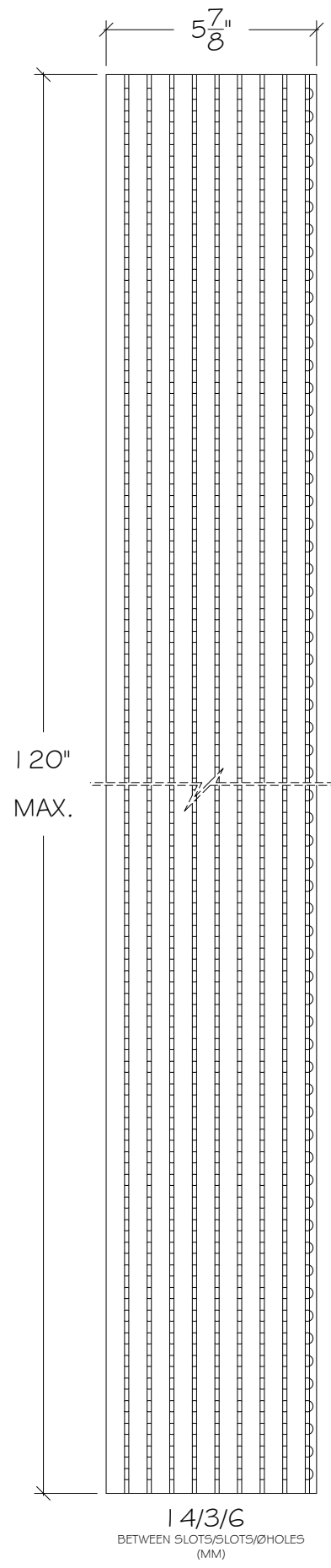
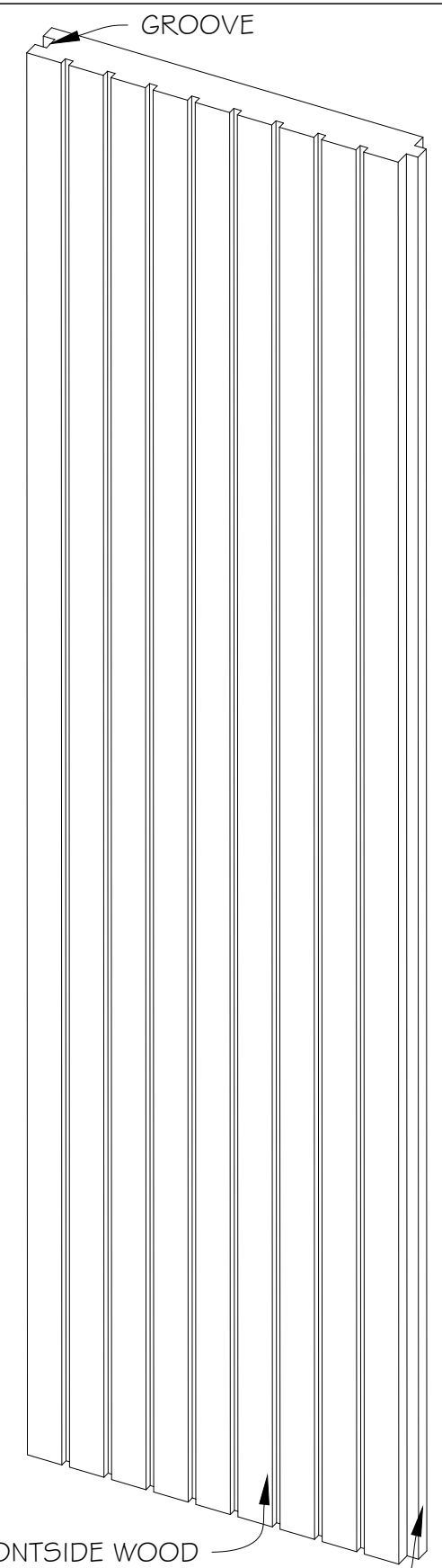
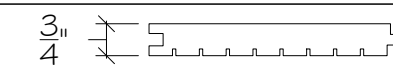
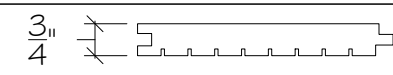
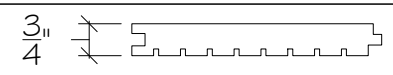
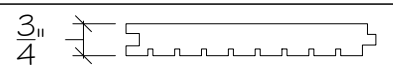
PROPRIETARY AND CONFIDENTIAL

THE INFORMATION CONTAINED IN THIS DRAWING IS THE SOLE PROPERTY OF REALACOUSTIX LLC. ANY REPRODUCTION IN PART OR AS A WHOLE WITHOUT THE WRITTEN PERMISSION OF REALACOUSTIX LLC. IS PROHIBITED

REALACOUSTIX LLC RESERVES THE RIGHT TO CHANGE OR MODIFY PRODUCTS ILLUSTRATED IN THE SHOP DRAWINGS AS NEEDED FOR ANY REASON DEEMS NECESSARY TO IMPROVE THE DESIGN OR MEET CERTAIN WEIGHT, MEASUREMENT, VISUAL, ARCHITECTURAL OR STRUCTURAL REQUIREMENTS.

DRAFTED BY: AB
CHECKED BY:
MODIFIED DATE:
9/21/22
REVISION NUMBER: 1

SD-A01



1 DSA PLANKS - 14 SERIES