

ARP - SINGLE ANGLE

WALL

NOTES:

ANGLE REFLECTIVE PANEL (ARP)
ALSO AVAILABLE FOR DIFFUSIVE
& ABSORPTIVE PURPOSES

CUSTOM SIZES AVAILABLE UPON
REQUEST

ALL MATERIALS ARE CLASS "A"
FIRE RATED

MANUFACTURER RECOMMENDED
INSTALLATION INSTRUCTIONS
AVAILABLE

PROPRIETARY AND CONFIDENTIAL

THE INFORMATION CONTAINED IN
THIS DRAWING IS THE SOLE
PROPERTY OF REALACOUSTIX LLC.
ANY REPRODUCTION IN PART OR AS
A WHOLE WITHOUT THE WRITTEN
PERMISSION OF REALACOUSTIX LLC.
IS PROHIBITED

REALACOUSTIX LLC RESERVES THE
RIGHT TO CHANGE OR MODIFY
PRODUCTS ILLUSTRATED IN THE
SHOP DRAWINGS AS NEEDED FOR
ANY REASON DEEMS NECESSARY TO
IMPROVE THE DESIGN OR MEET
CERTAIN WEIGHT, MEASUREMENT,
VISUAL, ARCHITECTURAL OR
STRUCTURAL REQUIREMENTS.

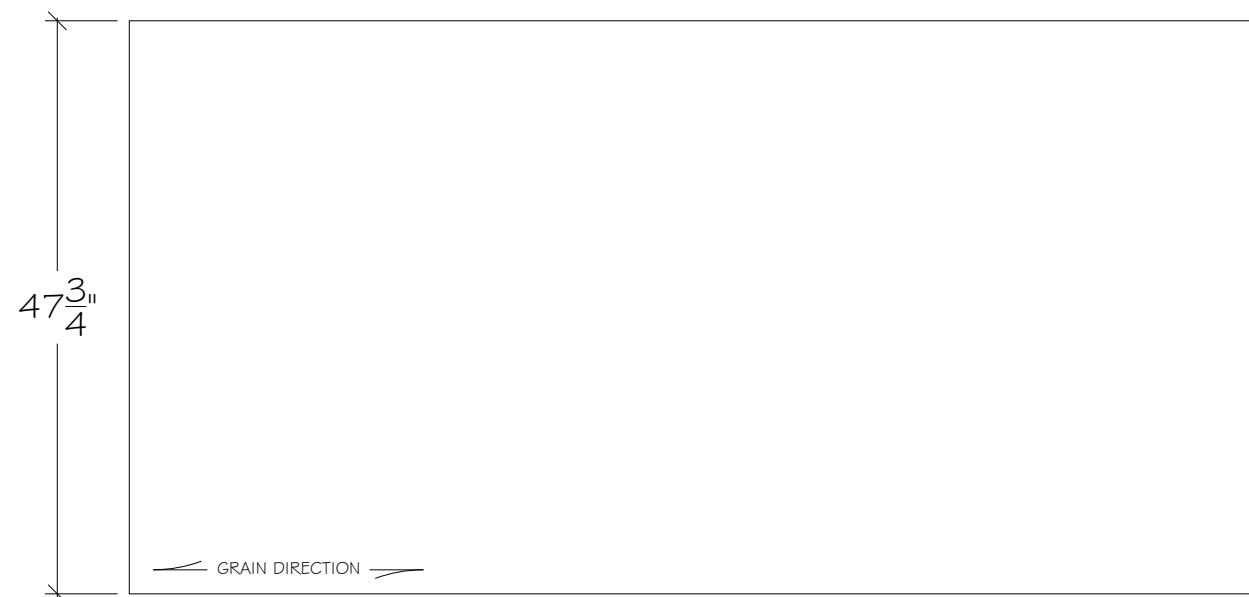
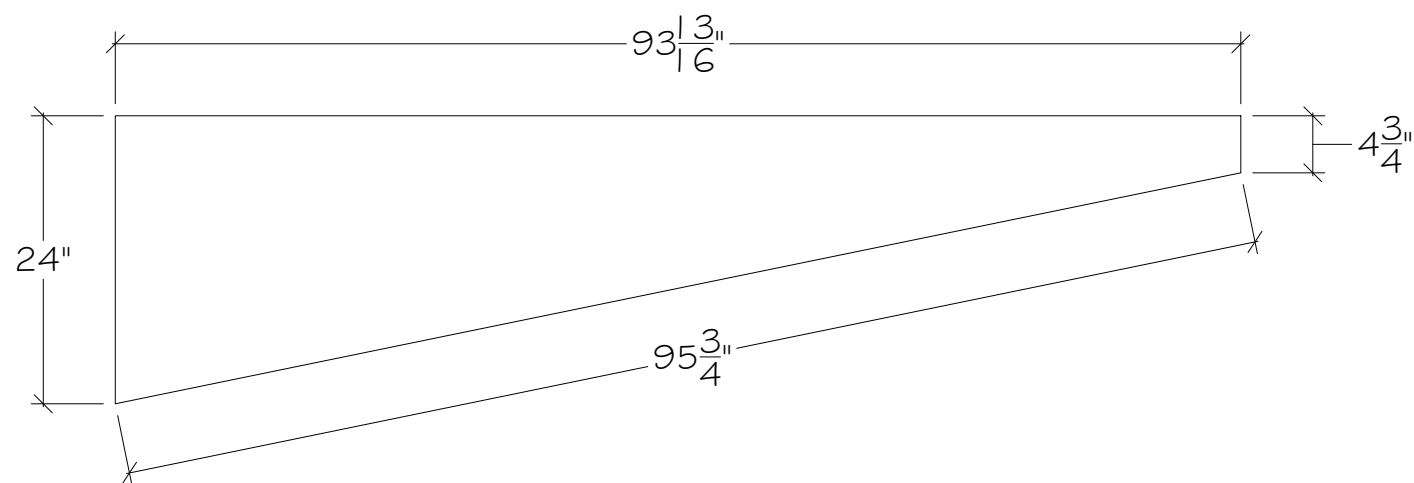
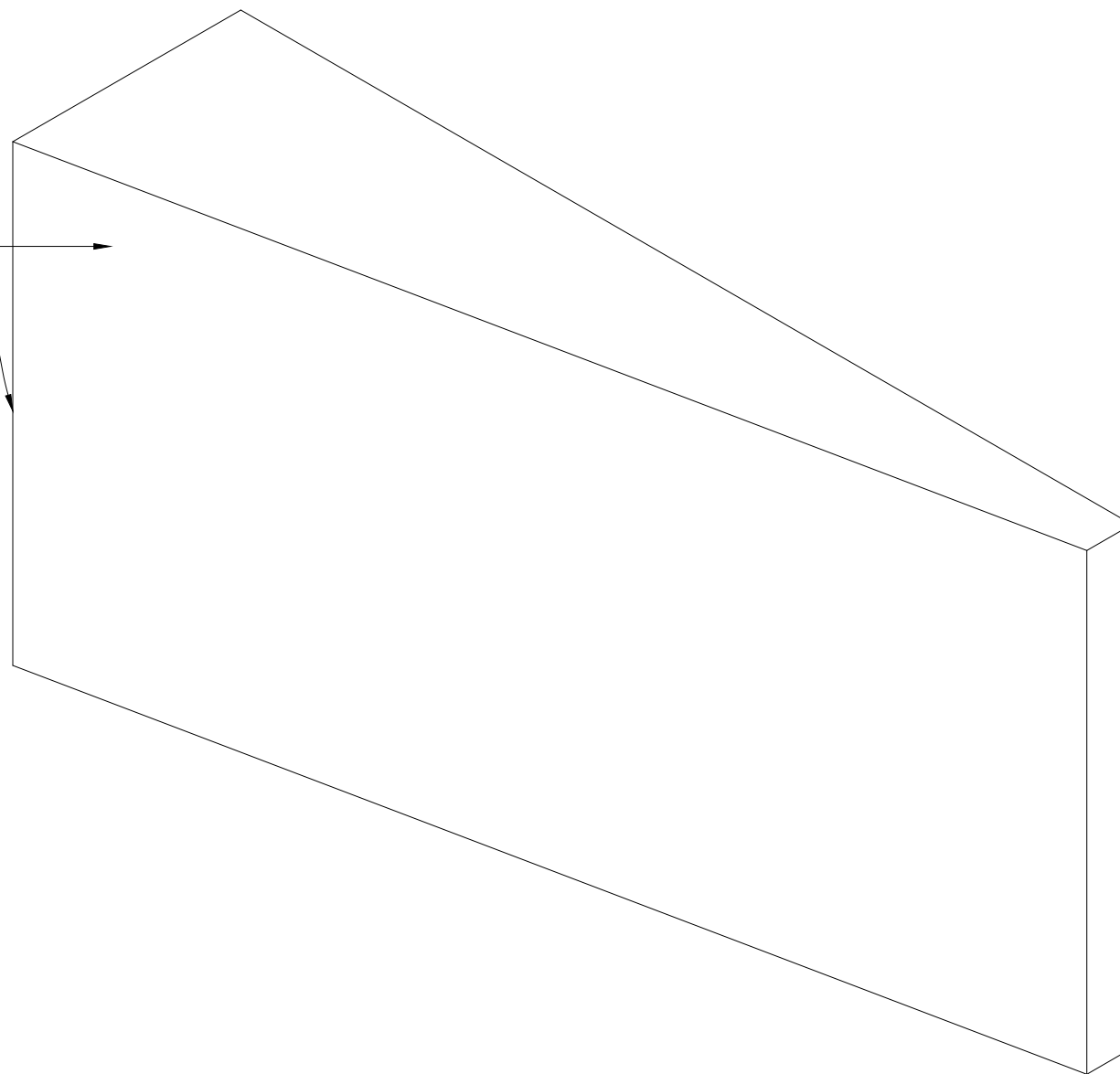
DRAFTED BY: AB
CHECKED BY:

MODIFIED DATE:
9/27/22

REVISION NUMBER: 1

SD-A01

FRONT & VISIBLE
EDGES WOOD VENEER,
PLASTIC LAMINATE, OR
PAINT FINISH



1 ARP - SINGLE ANGLE