

GUD PANEL

CEILING/WALL

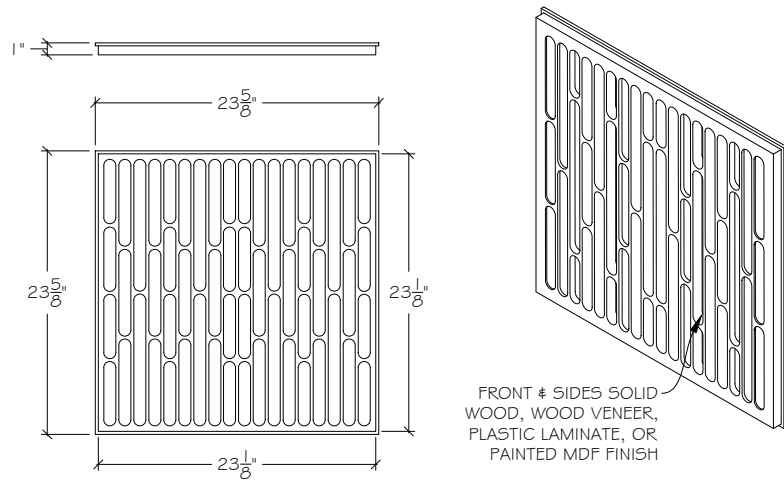
NOTES:
ONE DIMENSIONAL GEOMETRIC UNIFORM DIFFUSER (GUD)
CUSTOM SIZES AVAILABLE UPON REQUEST
ALL MATERIALS ARE CLASS "A" FIRE RATED
MANUFACTURER RECOMMENDED INSTALLATION INSTRUCTIONS AVAILABLE

PROPRIETARY AND CONFIDENTIAL

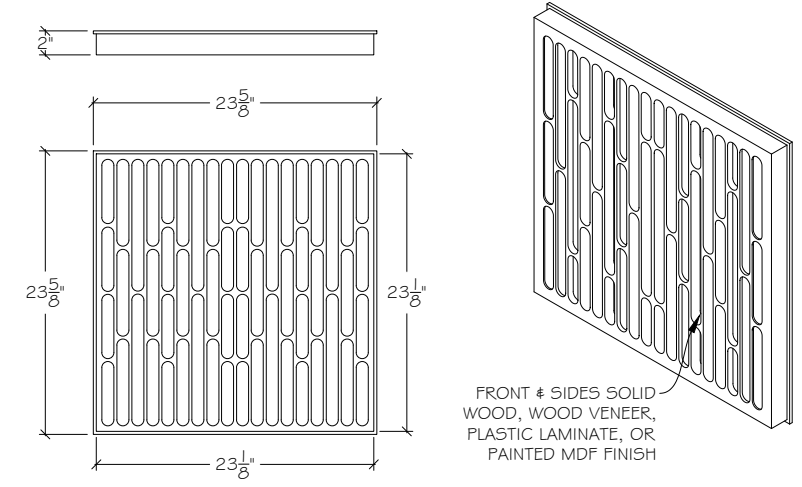
THE INFORMATION CONTAINED IN THIS DRAWING IS THE SOLE PROPERTY OF REALACOUSTIX LLC. ANY REPRODUCTION IN PART OR AS A WHOLE WITHOUT THE WRITTEN PERMISSION OF REALACOUSTIX LLC. IS PROHIBITED

REALACOUSTIX LLC RESERVES THE RIGHT TO CHANGE OR MODIFY PRODUCTS ILLUSTRATED IN THE SHOP DRAWINGS AS NEEDED FOR ANY REASON DEEMS NECESSARY TO IMPROVE THE DESIGN OR MEET CERTAIN WEIGHT, MEASUREMENT, VISUAL, ARCHITECTURAL OR STRUCTURAL REQUIREMENTS.

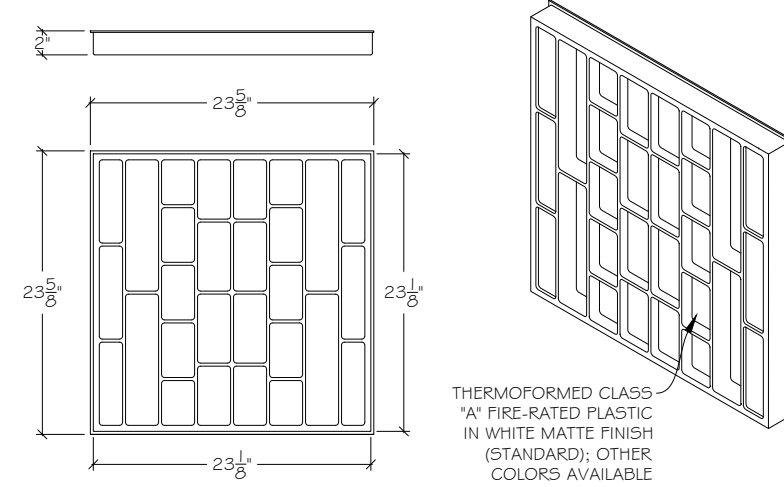
DRAFTED BY: AB
CHECKED BY:
MODIFIED DATE:
9/22/22
REVISION NUMBER: 1



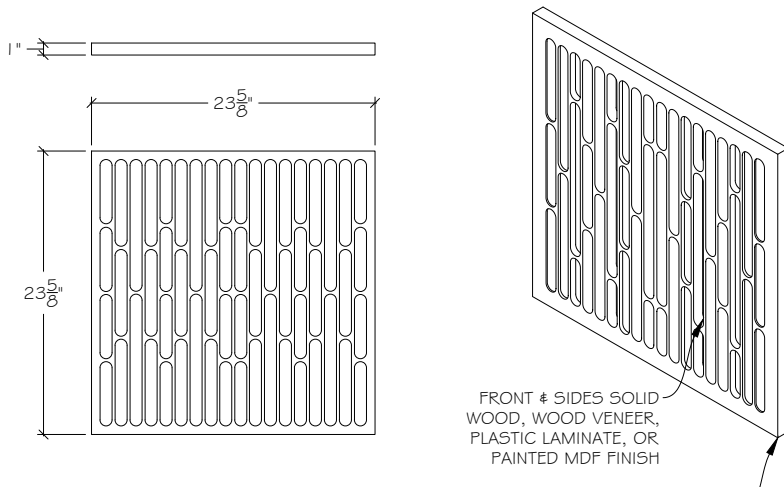
① 1" GUD PANEL DCT



② 2" GUD PANEL DCT

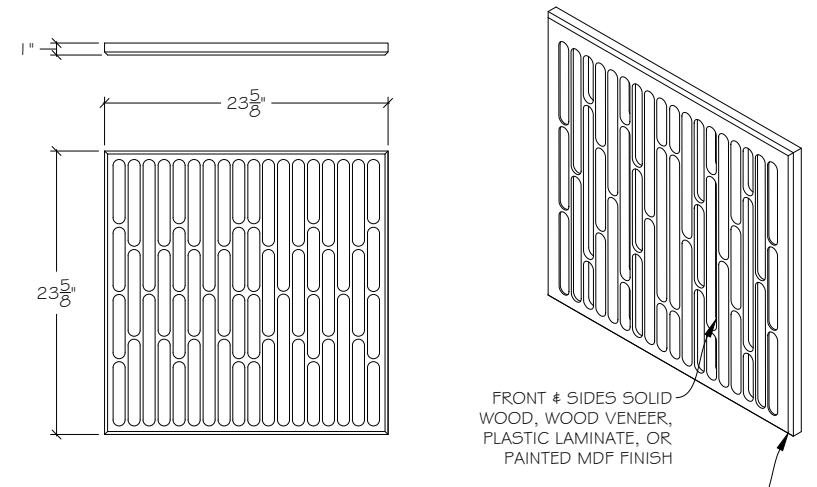


③ 2" TF GUD PANEL DCT



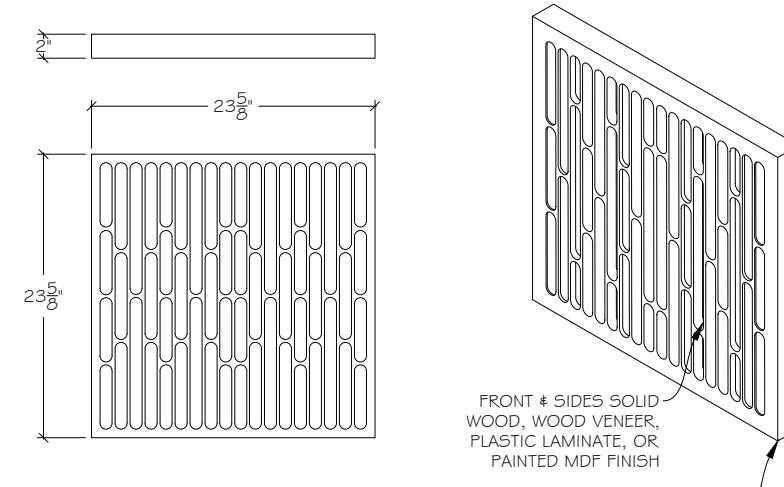
④ 1" GUD PANEL

SQUARE EDGES



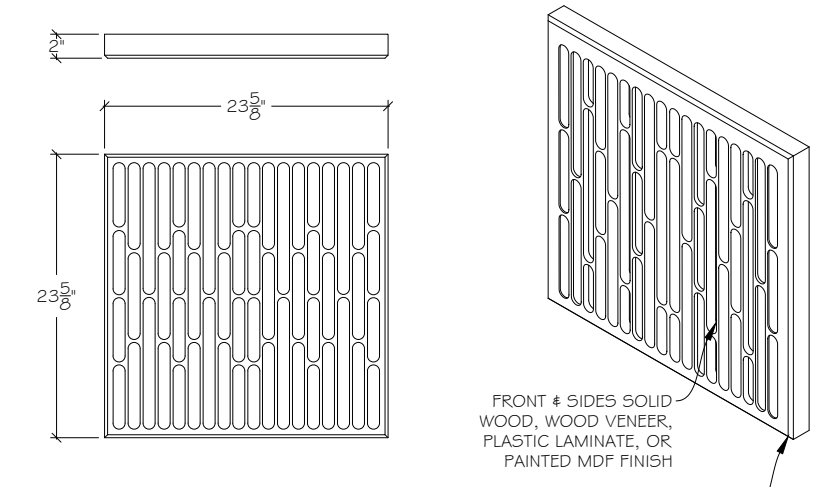
⑤ 1" GUD PANEL

CHAMFERED EDGES



⑥ 2" GUD PANEL

SQUARE EDGES



⑦ 2" GUD PANEL

CHAMFERED EDGES