

DEAMP

WALL/CEILING

NOTES:  
TRANSPARENT SOUND ABSORBER  
CUSTOM SIZES AVAILABLE UPON REQUEST  
ALL MATERIALS ARE CLASS "A" FIRE RATED  
MANUFACTURER RECOMMENDED INSTALLATION INSTRUCTIONS AVAILABLE

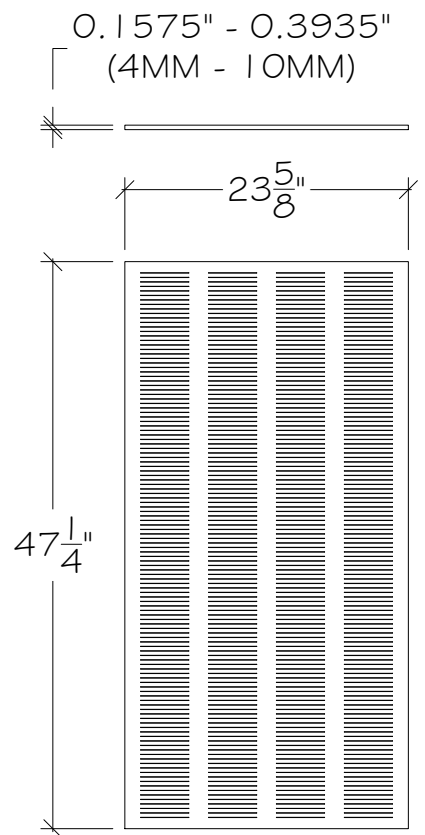
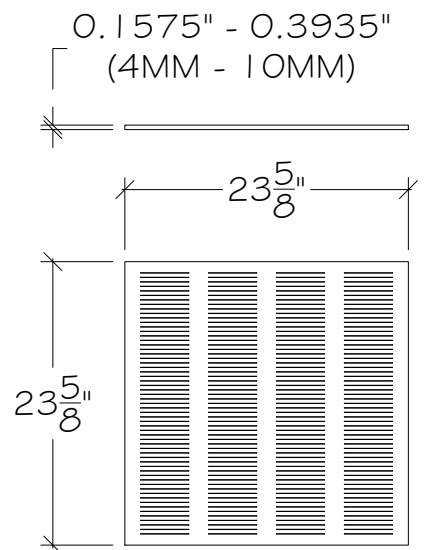
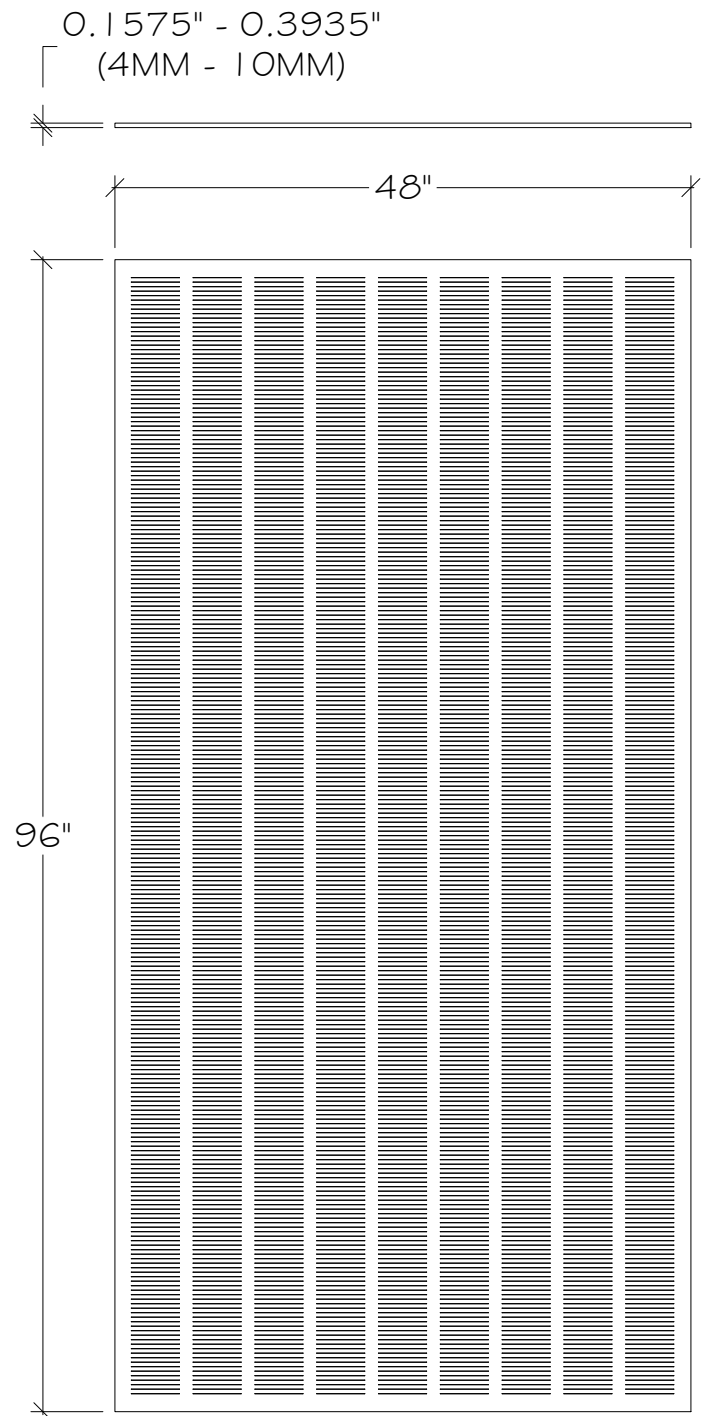
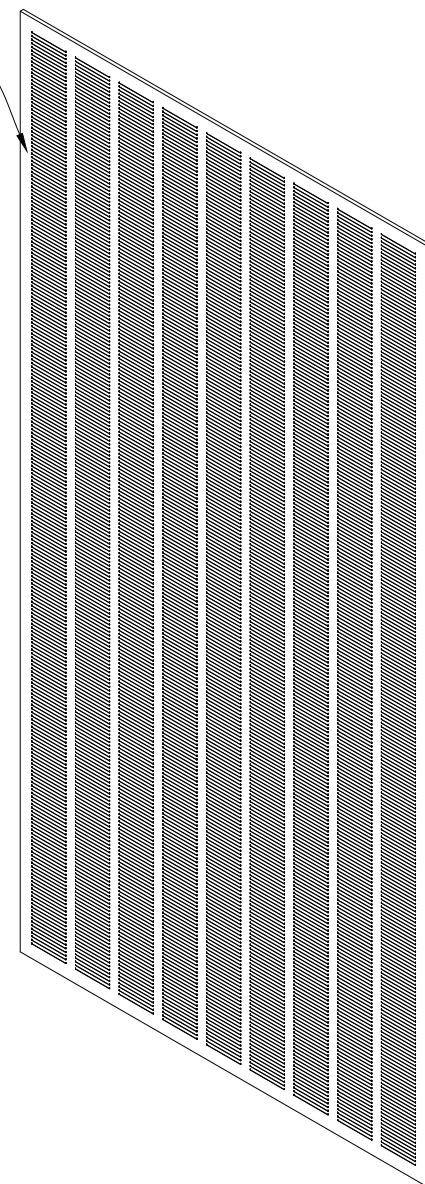
PROPRIETARY AND CONFIDENTIAL  
THE INFORMATION CONTAINED IN THIS DRAWING IS THE SOLE PROPERTY OF REALACOUSTIX LLC. ANY REPRODUCTION IN PART OR AS A WHOLE WITHOUT THE WRITTEN PERMISSION OF REALACOUSTIX LLC. IS PROHIBITED

REALACOUSTIX LLC RESERVES THE RIGHT TO CHANGE OR MODIFY PRODUCTS ILLUSTRATED IN THE SHOP DRAWINGS AS NEEDED FOR ANY REASON DEEMS NECESSARY TO IMPROVE THE DESIGN OR MEET CERTAIN WEIGHT, MEASUREMENT, VISUAL, ARCHITECTURAL OR STRUCTURAL REQUIREMENTS.

DRAFTED BY: AB  
CHECKED BY:  
MODIFIED DATE: 9/21/22  
REVISION NUMBER: 1

SD-A01

ACRYLIC PLASTIC MATERIAL WITH CLEAR, FROSTED, TRANSPARENT SOLID COLOR, OR PRINTED IMAGE FINISH TYP.



DEAMP PANELS